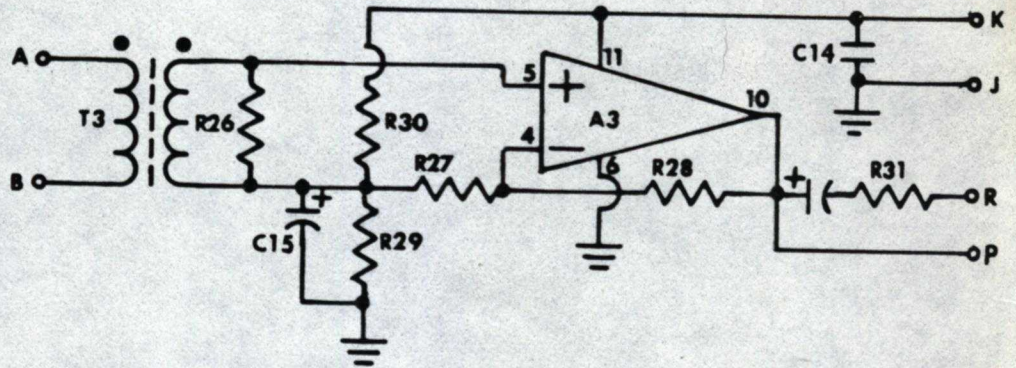


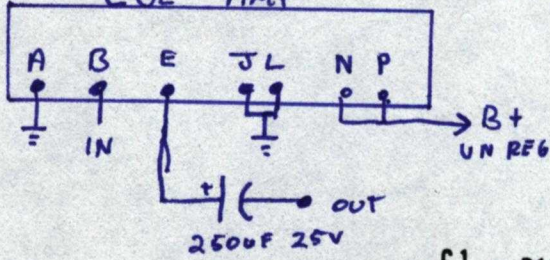
# Signature SERIES PLUG-IN CIRCUITS

If You Didn't Get This From My Site,  
Then It Was Stolen From...  
[www.SteamPoweredRadio.Com](http://www.SteamPoweredRadio.Com)

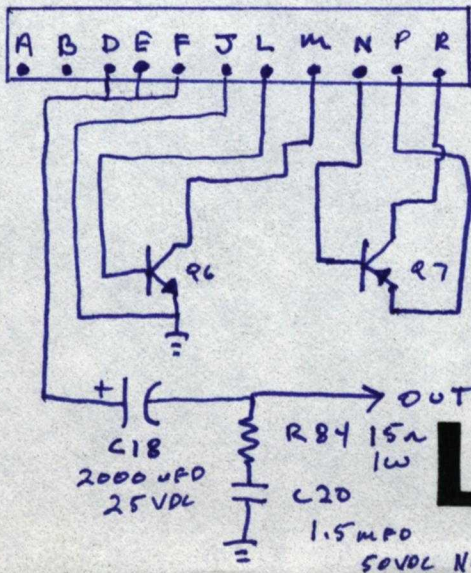
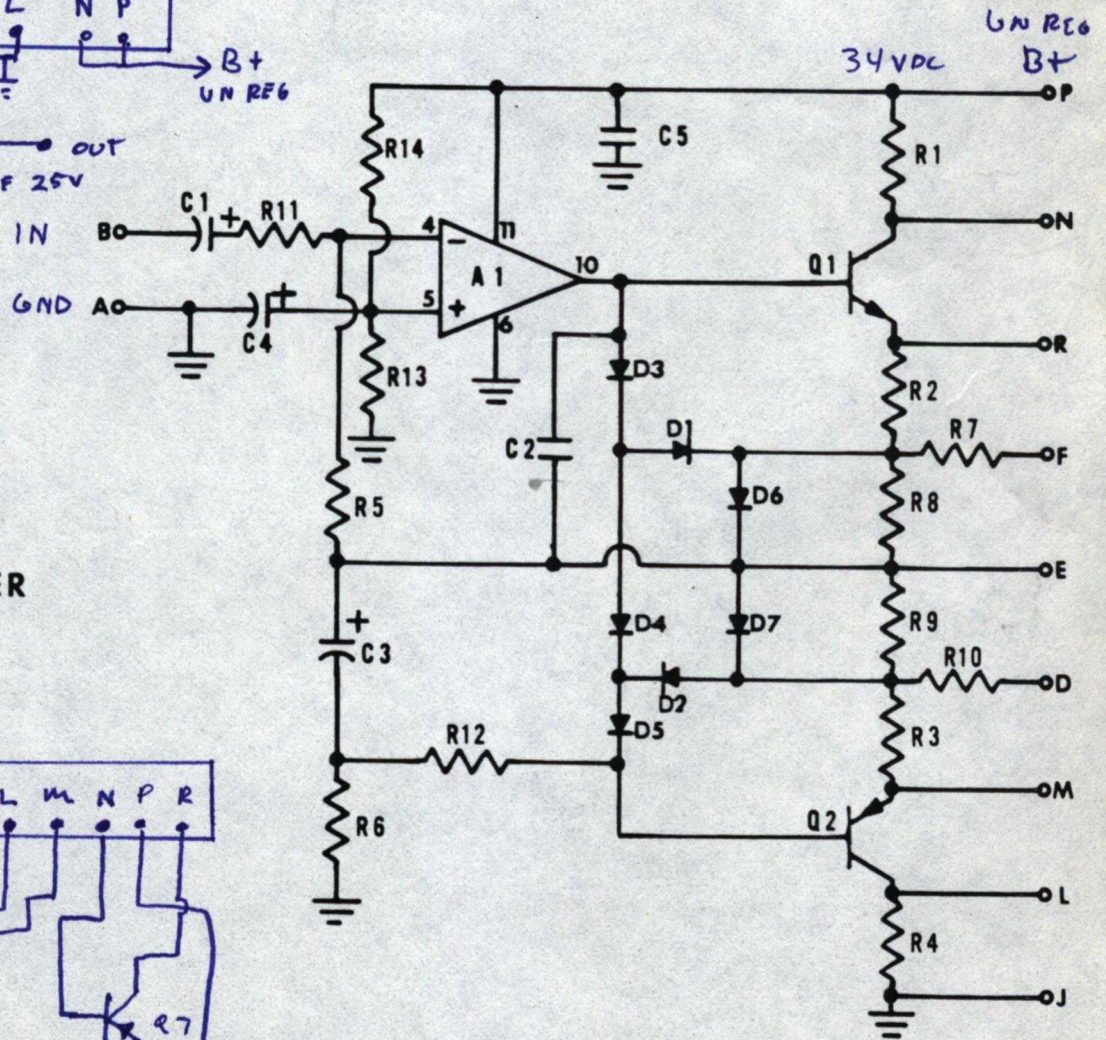
## MICROPHONE PREAMPLIFIER



## CUE AMP



## POWER AMPLIFIER



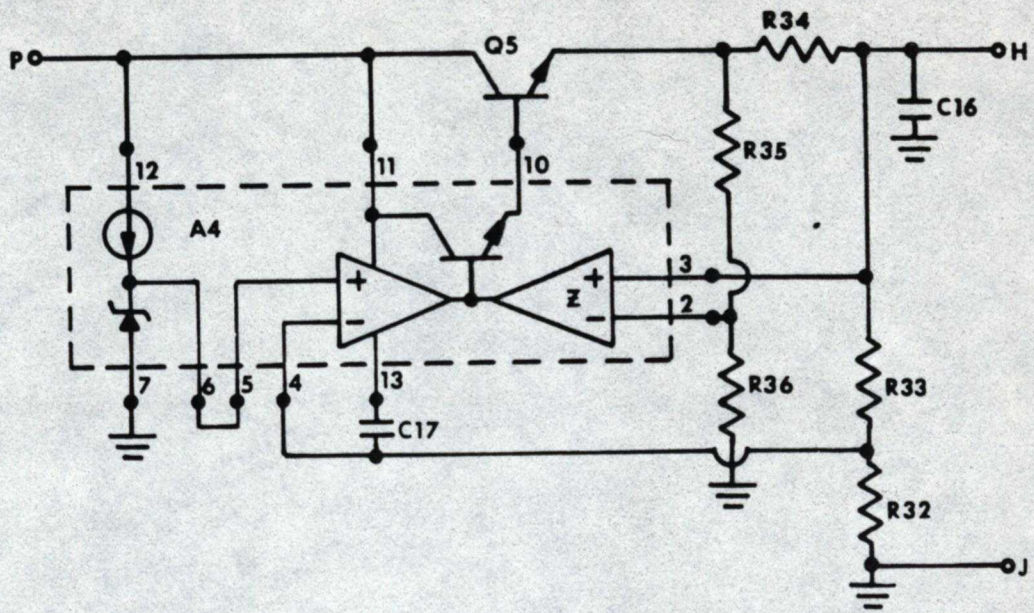
# LPB

LPB Inc.  
520 Lincoln Highway  
Frazer, Pa. 19355

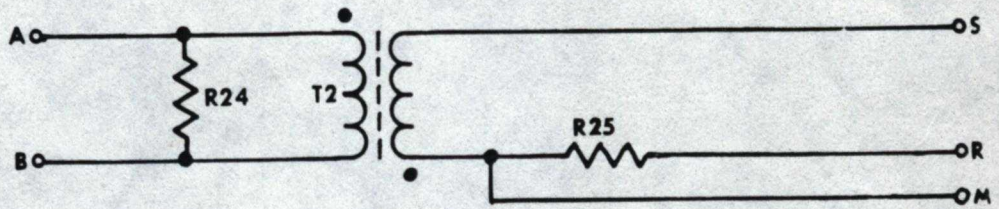




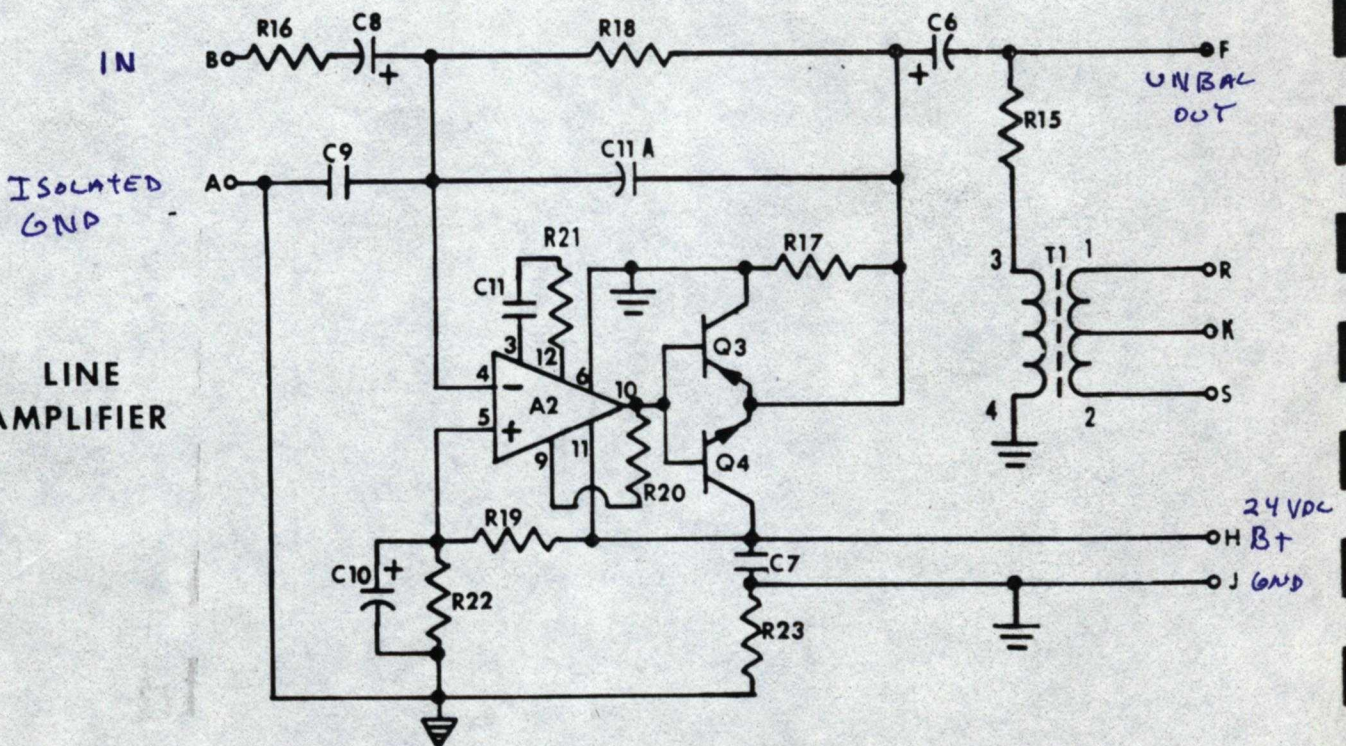
VOLTAGE  
REGULATOR



INPUT  
TRANSFORMER



LINE  
AMPLIFIER





## PARTS LISTS

### Signature Series Plug-In Modules

#### Power Amp

R1		Resistor, 100 ohm, 1/2 w, 5%
R2	- 3	Resistor, 0.1 ohm, 1 w, 5%
R4		Resistor, 100 ohm, 1/2 w, 5%
R5		Resistor, 510 K ohm, 1/2 w, 5%
R6		Resistor, 1 K ohm, 1/2 w, 5%
R7		Resistor, 2.2 ohm, 1/2 w, 5%
R8	- 9	Resistor, 22 ohm, 1/2 w, 5%
R10		Resistor, 2.2 ohm, 1/2 w, 5%
R11		Resistor, 5.1 K ohm, 1/2 w, 5%
R12		Resistor, 1 K ohm, 1/2 w, 5%
R13	- 14	Resistor, 1 M ohm, 1/2 w, 5%
D1	- 7	Diode, 1N4002 (or equivalent)
Q1		Transistor, MPS U04
Q2		Transistor, MPS U52
Q6		Transistor, MJE-205 (mounted on rear console case)
Q7		Transistor, MJE-105 (mounted on rear console case)
C1		Capacitor, 2.2 mfd, 25 v dc tantalum
C2		Capacitor, 0.1 mfd, 50 v dc disc ceramic
C3		Capacitor, 47 mfd, 35 v dc tantalum
C4		Capacitor, 15 mfd, 35 v dc tantalum
C5		Capacitor, 0.1 mfd, 50 v dc disc ceramic
A1		Op amp, RM741DC (or equivalent)

#### Line Amp

R15		Resistor, 27 ohm, 1/2 w, 5%
R16		Resistor, 100 ohm, 1/2 w, 5%
R17		Resistor, 470 ohm, 1/2 w, 5%
R18		Resistor, 680 K ohm, 1/2 w, 5%
R19		Resistor, 680 K ohm, 1/2 w, 5%
R20		Resistor, 100 K ohm, 1/2 w, 5%
R21		Resistor, 33 K ohm, 1/2 w, 5%
R22		Resistor, 680 K ohm, 1/2 w, 5%
R23		Resistor, 10 ohm, 1/2 w, 5%
Q3		Transistor, MPS U52
Q4		Transistor, MPS U04



C6	Capacitor, 250 mfd, 25 v dc Electrolytic
C7	Capacitor, 0.1 mfd, 50 v dc disc ceramic
C8	Capacitor, 47 mfd, 35 v dc tantalum
C9	Capacitor, 1000 pf, 600 v dc disc ceramic
C10	Capacitor, 2.2 mfd, 25 v dc tantalum
C11	Capacitor, 220 pf silver mica
C11A	Capacitor, 2 pf silver mica
C12	Capacitor, 2.2 mfd, 25 v dc tantalum
A2	Op Amp, MC 1439L
T1	Transformer, LPB-026

#### Input Transformer

R24	Resistor, 620 ohm, 1/2 w, 5%
R25	Resistor, 5.6 K ohm, 1/2 w, 5%
T2	Transformer, LPB-812

#### Mic Preamp (Fixed Gain Type)

R26	Resistor, 680 K ohm, 1/2 w, 5%
R27	Resistor, 1.8 K ohm, 1/2 w, 5%
R28	Resistor, 27 K ohm, 1/2 w, 5%
R29 - 30	Resistor, 120 K ohm, 1/2 w, 5%
R31	Resistor, 10 K ohm, 1/2 w, 5%
C13	Capacitor, 15 mfd, 35 v dc tantalum
C14	Capacitor, 0.1 mfd, 50 v dc disc ceramic
C15	Capacitor, 2.2 mfd, 25 v dc tantalum
A3	Op Amp, U6A7741393 (or equivalent)
T3	Transformer, C30716

#### Voltage Regulator (Discrete Type)

R32	Resistor, 7.15 K ohm, 1/2 w, 1%
R33	Resistor, 18.7 K ohm, 1/2 w, 1%
R34	Resistor, 6.8 ohm, 1/2 w, 5%
R35	Resistor, 1200 ohm, 1/2 w, 5%
R36	Resistor, 10 K ohm, 1/2 w, 5%
Q5	Transistor, MPS U04
C16	Capacitor, 0.1 mfd, 50 v dc disc ceramic
C17	Capacitor, 500 pf, 600 v dc disc ceramic
A4	Precision Voltage Regulator, U6A7723393 (or equivalent)